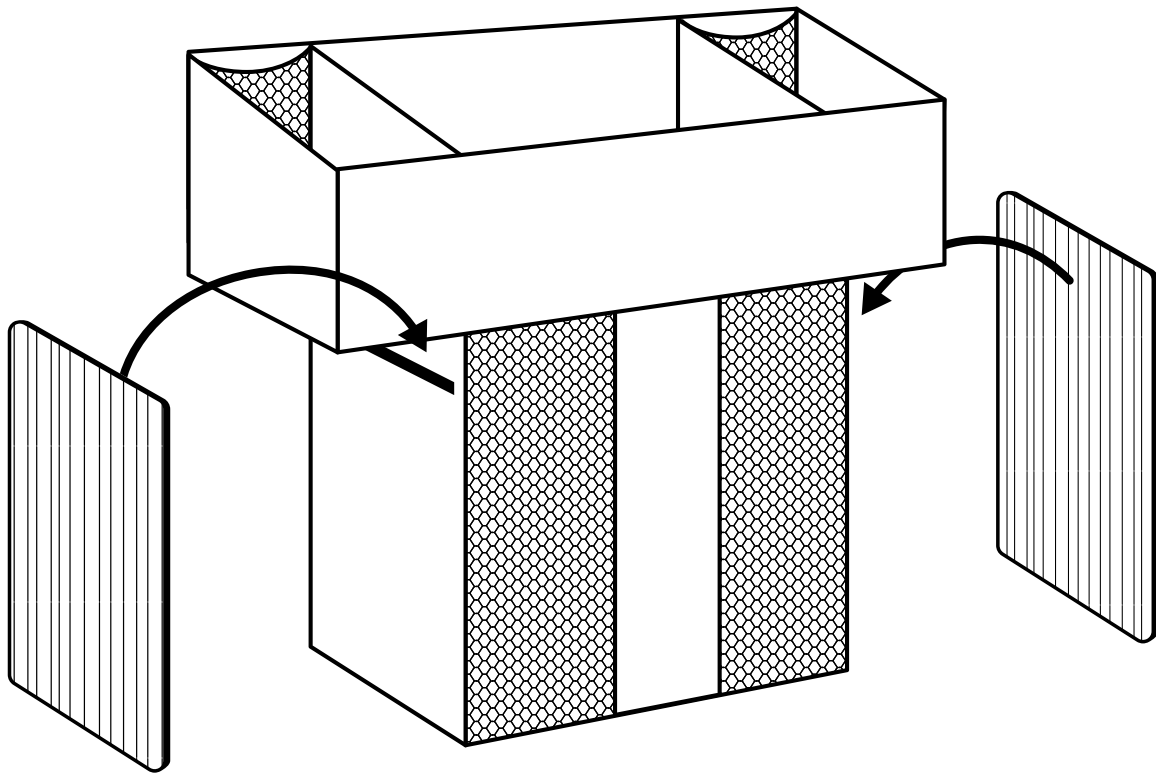


# Diaper Storage Caddy

## **ASSEMBLY**



Insert plastic boards into pockets located on  
each side of the caddy